

AC Fan

Ø172mm

A17251Ø AC

51mm thick (Round type)

51mm thick (Sidecut type)



General Specifications

Material	Aluminum Housing, Steel Impeller
Bearings	Maintenance-Free Ball Bearings
Motor Type	AC Induction Capacitor
Connection	Terminals or Lead wire
Dielectric Strength	1800 VAC for 1 Sec.
Insulation Resistance	100 MΩ min.@500VDC
Operating Temperature	-20°C to +70°C
Type of Protection	Insulation Class B, F, IP54
Safety	Thermally Protected (Auto Restart)



- Steel Impeller
- Weight : 1080 g *
940 g
- Rohs Compliance

Ø172 x 51 mm

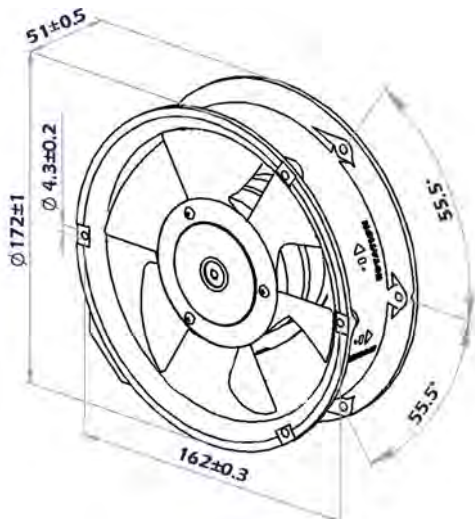
- ⌋ Super Speed ⌋
- ⌋ High Speed ⌋
- ⌋ Medium Speed ⌋
- ⌋ Low Speed ⌋

Specifications

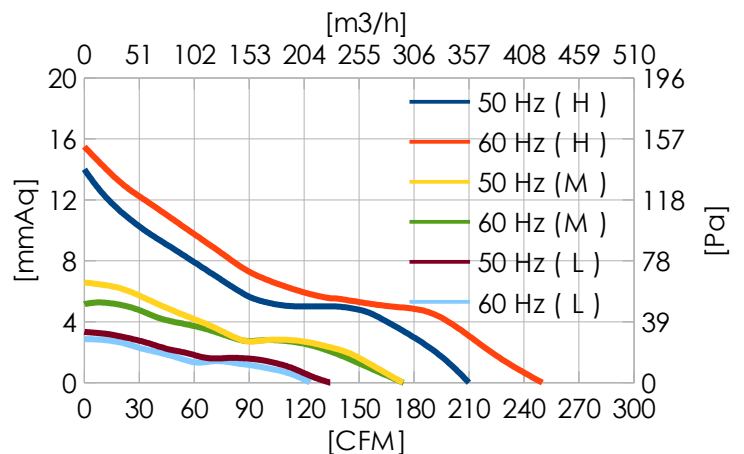
Model No.	Voltage VAC	Freq Hz	Current A	Power W	Speed rpm	Pressure mmAq	Air Flow CFM	Noise dB	TUV	UL	CE
*A17251Ø-V1SBxS	115	50/60	0.27/0.23	26/26	2800/3300	16.5/20.0	230/270	55/61	√	√	
*A17251Ø-V2SBxS	230		0.10/0.11	23/26							
A17251Ø-V1HBxS	115		0.25/0.21	27/25	2700/3100	14.0/15.5	210/250	53/59			
A17251Ø-V2HBxS	230		0.11/0.12	26/27							
A17251Ø-V1MBxS	115		0.12/0.15	14/17	2400/2350	6.6/5.2	174/174	51/51			
A17251Ø-V2MBxS	230		0.07/0.10	16/19							
A17251Ø-V1LBxS	115		0.07/0.07	8/9	1800/1700	3.3/2.9	135/123	47/45			
A17251Ø-V2LBxS	230		0.04/0.05	10/11	1850/1700	3.4/2.9					

x : T (Terminals), L (Lead Wire)

Dimensions (Unit : mm)



Air Flow and Static Pressure



AC Fan

Ø172mm

A17251Ø AC

51mm thick (Round type)

51mm thick (Sidecut type)



General Specifications

Material	Aluminum Housing, Steel Impeller
Bearings	Maintenance-Free Ball Bearings
Motor Type	AC Induction Capacitor
Connection	Terminals or Lead wire
Dielectric Strength	1800 VAC for 1 Sec.
Insulation Resistance	100 MΩ min.@500VDC
Operating Temperature	-20°C to +70°C
Type of Protection	Insulation Class B, F, IP54
Safety	Thermally Protected (Auto Restart)



- Steel Impeller
- Weight : 1080 g *
940 g
- Rohs Compliance

Ø172 x 51 mm

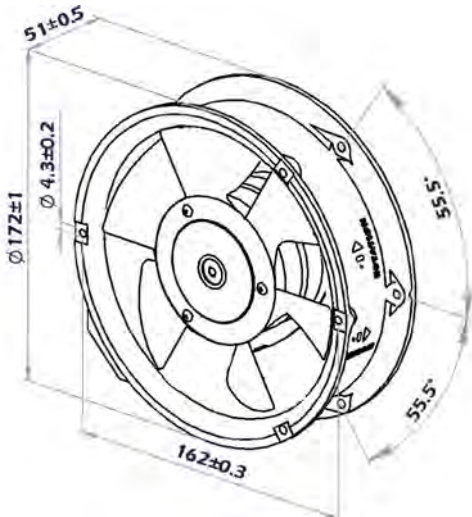
HighSpeed
Medium Speed
Low Speed
« Special »

Specifications

Model No.	Voltage VAC	Freq Hz	Current A	Power W	Speed rpm	Pressure mmAq	Air Flow CFM	Noise dB	TUV	UL	CE
A17251Ø-V28BxS	280	50/60	0.11/0.11	27/26	2600/3000	12.0/11.0	200/230	52/58			
A17251Ø-V3HBxS	380		0.06/0.06	22/23							
A17251Ø-V3SBxS	440		0.08/0.07	29/27	2700/3100	13.5/14.5	210/240	53/59			
*A17251Ø-V4SBxS	480		0.07/0.07	33/31	2600/3000	12.0/11.0					
*A17251Ø-VDSBxS	115		0.25/0.21	27/25	2700/3100	14.0/15.5	210/250				
	230		0.11/0.12	26/27							

x : T (Terminals), L (Lead Wire)

Dimensions (Unit : mm)



Air Flow and Static Pressure

