

AC Fan

225mm

A22580 AC

80mm thick



General Specifications

Material	Aluminum Housing, Steel Impeller
Bearings	Maintenance-Free Ball Bearings
Motor Type	AC Induction Capacitor
Connection	Terminal Block
Dielectric Strength	1800 VAC for 1 Sec.
Insulation Resistance	100 MΩ min.@500VDC
Operating Temperature	-30°C to +85°C
Type of Protection	Insulation Class F, IP44
Safety	Thermally Protected (Auto Restart)



- Steel Impeller
- Weight : 2750 g
- Rohs Compliance

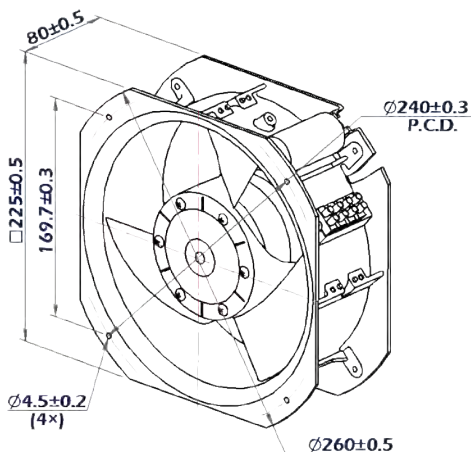
□ **225 x 80** mm ‹ High Speed ›

Specifications

Model No.	Voltage VAC	Freq Hz	Current A	Power W	Speed rpm	Pressure mmAq	Air Flow CFM	Noise dB	TUV	UL	CE
A22580-V1HBkS	115	50/60	0.61/0.62	53/68	2800/3200	23.5/20.5	580/670	68/71	√	√	√
A22580-V2HBkS	230		0.26/0.31								

K : K (Terminal Block)

Dimensions (Unit : mm)



Air Flow and Static Pressure

