

172mm

A17238 AC 3ø

38mm thick (Sidecut type)
 51mm thick (Sidecut type)
 55mm thick (Eye type)



General Specifications [一般特性]

Material	Aluminum Housing, [鋁合金框]	Steel Impeller [金屬葉片]
Bearings	Maintenance-Free Ball Bearings [滾珠軸承]	
Motor Type	AC Induction Capacitor [電容式感應馬達]	
Connection	Terminals or Lead wire [端子或導線連接]	
Dielectric Strength	1800 VAC for 1 Sec. [耐壓規格]	
Insulation Resistance	100 MΩ min.@500VDC [絕緣阻抗]	
Operating Temperature	-20°C to +70°C [操作環溫]	
Type of Protection	Insulation Class B [線圈等級]	
Ingress Protection	IP54 (optional IP56, IP67 rated) [防塵防水]	
Safety	Thermally Protected (Auto Restart) [自動回復式溫度開關安全保護]	



- Steel Impeller
- Weight : 820 g
- Rohs Compliance

172 x 151 x 38 mm

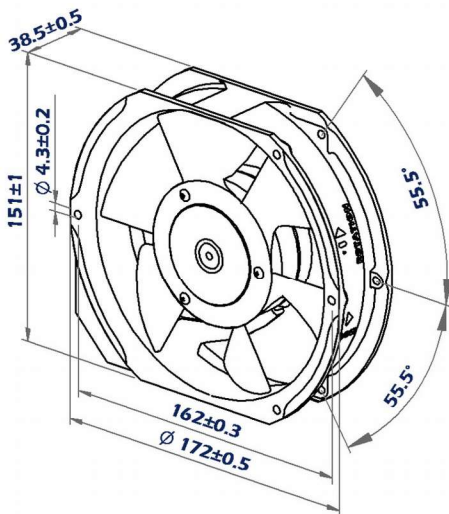
- High Speed
- Medium Speed
- Low Speed
- (Special)

Specifications [規格表]

Model No. [型號]	Voltage [電壓] VAC	Freq [頻率] Hz	Current [電流] A	Power [功率] W	Speed [轉速] rpm	Pressure [靜壓] mmAq	Air Flow [風量] CFM	Noise [噪音] dB	Certification [安規認證]		
									TUV	UL	CE
A17238-V2HB LS(3ø)	280	50/60	0.11/0.11	27/26	2600/3000	12.0/11.0	200/230	52/58			

L (Lead Wire 導線連接)

Dimensions (Unit : mm)



Air Flow and Static Pressure

