

172mm

A17251 DC

51mm thick (Sidecut type)
 38mm thick (Sidecut type)
 55mm thick (Eye type)



General Specifications [一般特性]

Material	Aluminum Housing	[鋁合金框]
	Plastic Impeller	[塑膠葉片]
Bearings	Maintenance-Free Ball	[滾珠軸承]
Motor Type	DC Permanent Magnet	[DC無刷馬達]
Connection	Lead wire	[導線連接]
Dielectric Strength	500 VAC for 1 Min.	[耐壓規格]
Insulation Resistance	100 MΩ min.@500VDC	[絕緣阻抗]
Operating Temperature	-10°C to +70°C	[操作環溫]
Type of Protection	Insulation Class B	[線圈等級]
Ingress Protection	IP54 (optional IP56 rated)	[防塵防水]
Safety	Locked Rotor Protection and Polarity Protection	[堵轉及防逆接安全保護]
Option	RD, FG, PWM/0-10 speed	[功能選項]



- Plastic Impeller
- Weight : 1070 g
- Rohs Compliance

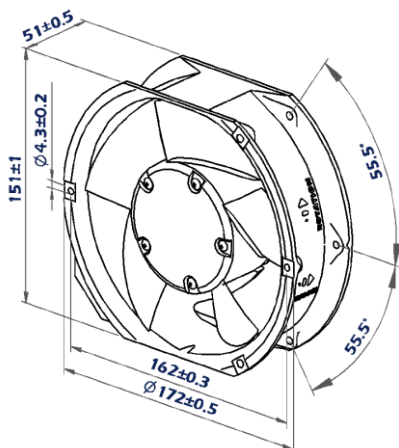
172 x 151 x 51 mm

Specifications [規格表]

Model No.	Voltage VDC	Current A	Speed rpm	Pressure mmAq	Air Flow CFM	Noise dB	Curve NO.	Certification		
								TUV	UL	CE
A17251-Dx7BLP	12/24/48	1.31/0.65/0.33	2800	14.5	220	52	7	√	√	√
A17251-Dx8BLP		1.88/0.89/0.45	3200	18.7	255	56	8			
A17251-Dx9BLP		2.75/1.21/0.60	3600	23.5	290	60	9			
A17251-DxABLP		3.73/1.69/0.79	4000	28.8	325	64	A			
A17251-DxBBLP	/24/48	/2.41/1.15	4400	34.1	355	68	B	√	√	√
A17251-DxCBLP		/3.1/1.48	4800	40.3	390	72	C			

x : 1 (12 VDC), 2 (24 VDC), 4 (48 VDC)

Dimensions (Unit : mm)



Air Flow and Static Pressure

