

DC Fan

172mm

A17251 DC

51mm thick (Sidecut type)

38mm thick (Sidecut type)

55mm thick (Eye type)



- Steel Impeller
- Weight : 1100 g
- Rohs Compliance

General Specifications

Material	Aluminum Housing, Steel Impeller
Bearings	Maintenance-Free Ball Bearings
Motor Type	DC Permanent Magnet Brushless
Connection	Lead wire
Dielectric Strength	500 VAC for 1 Min.
Insulation Resistance	100 MΩ min.@500VDC
Operating Temperature	-10°C to +70°C
Type of Protection	Insulation Class B, IP54
Safety	Locked Rotor Protection and Polarity Protection
Option	RD, FG, PWM/ Voltage(0-10 VDC), PWM/Duty(Over 1kHz from 5VDC to 48VDC)

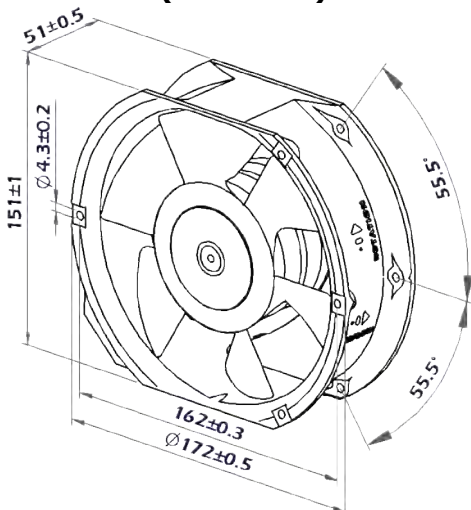
172 x 151 x 51 mm

Specifications

Model No.	Voltage VDC	Current A	Speed rpm	Pressure mmAq	Air Flow CFM	Noise dB	Curve NO.	TUV	UL	CE
A17251-Dx7BLS	12/24/48	1.17/0.56/0.28	2800	14.2	210	52	7			
A17251-Dx8BLS		1.60/0.77/0.39	3200	18.1	245	56	8			
A17251-Dx9BLS		2.39/1.07/0.51	3600	22.7	275	60	9			
A17251-DxABLS		2.76/1.38/0.69	4000	27.8	310	64	A			
A17251-DxBBLS	/24/48	/1.80/0.90	4400	32.9	340	68	B			
A17251-DxCBLS		/2.30/1.18	4800	37.8	360	72	C			

x : 1 (12 VDC), 2 (24 VDC), 4 (48 VDC)

Dimensions (Unit : mm)



Air Flow and Static Pressure

