

AC Fan

120mm

A12038 AC

38mm thick

25mm thick



General Specifications

Material	Aluminum Housing, Plastic Impeller
Bearings	Maintenance-Free Ball Bearings
Motor Type	AC Shaded-pole Motor
Connection	Terminals or Lead wire
Dielectric Strength	1800 VAC for 1 Sec.
Insulation Resistance	100 MΩ min.@500VDC
Operating Temperature	-30°C to +75°C (Ball Bearing) -10°C to +70°C (Sleeve Bearing)
Type of Protection	Insulation Class B
Safety	Impedance Protected



- Plastic Impeller
- Weight : 530 g
- Rohs Compliance

120 x 120 x 38 mm

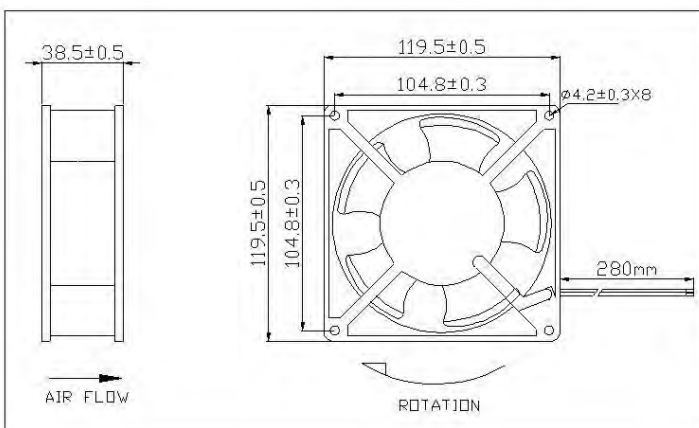
 (High Speed)

Specifications

Model No.	Voltage VAC	Freq Hz	Current A	Power W	Speed rpm	Pressure mmAq	Air Flow CFM	Noise dB	TUV	UL	CE
A12038-V1HBxP	115	50/60	0.26/0.22	21/19	2650/2950	6.4/7.6	91/113	40/45			
A12038-V2HBxP	220		0.12/0.11	20/19							
A12038-V1HSxP	115		0.26/0.22	21/19							
A12038-V2HSxP	220		0.12/0.11	20/19							

x : T (Terminals), L (Lead Wire)

Dimensions (Unit : mm)



Air Flow and Static Pressure

