

## AC Centrifugal Fan

Ø190mm

## C19067 AC

67mm thick



### General Specifications [一般特性]

Material	Plastic Impeller	[塑膠葉片]
Bearings	Maintenance-Free Ball Bearings	[滾珠軸承]
Motor Type	AC Induction Capacitor	[電容式感應馬達]
Connection	Lead wire	[導線連接]
Dielectric Strength	1800 VAC for 1 Sec.	[耐壓規格]
Insulation Resistance	100 MΩ min.@500VDC	[絕緣阻抗]
Operating Temperature	-20°C to +70°C	[操作環溫]
Type of Protection	Insulation Class F	[線圈等級]
Ingress Protection	IP54	[防塵防水]
Safety	Thermally Protected (Auto Restart)	[溫度開關保護(可自動回復)]



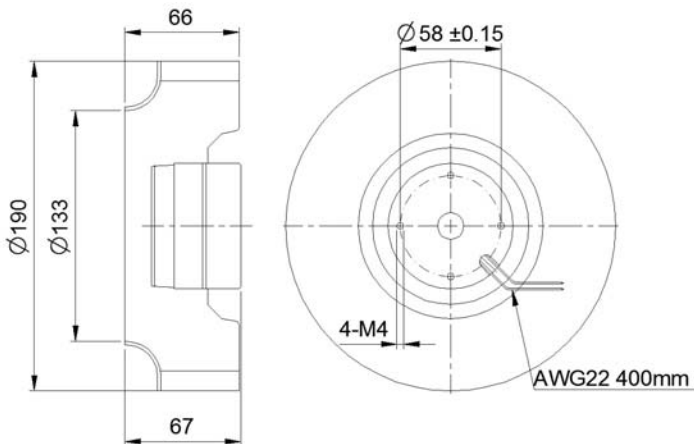
- Plastic Impeller
- Weight : 890 g
- Rohs Compliance

Ø190 x 67 mm ‹ Medium Speed ›  
[中轉速]

### Specifications [規格表]

Model No. [型號]	Voltage [電壓] VAC	Freq [頻率] Hz	Current [電流] A	Power [功率] W	Speed [轉速] rpm	Pressure [靜壓] mmAq	Air Flow [風量] CFM	Noise [噪音] dB	Certification [安規認證]		
									TUV	UL	CE
C19067-V1MBLP	115	50/60	0.39/0.42	45/48	2000/1600	28/28	256/224	61/59	√	√	√
C19067-V2MBLP	230		0.17/0.19	39/44							

### Dimensions (Unit : mm)



### Air Flow and Static Pressure

