

AC Fan

172mm

A15155 AC

55mm thick (Eye type)
 38mm thick (Sidecut type)
 51mm thick (Sidecut type)



General Specifications

Material	Aluminum Housing, Steel Impeller
Bearings	Maintenance-Free Ball Bearings
Motor Type	AC Induction Capacitor
Connection	Terminals or Lead wire
Dielectric Strength	1800 VAC for 1 Sec.
Insulation Resistance	100 MΩ min.@500VDC
Operating Temperature	-20°C to +70°C
Type of Protection	Insulation Class B, F, IP54
Safety	Thermally Protected (Auto Restart)



- Steel Impeller
- Weight : 980 g *
840 g
- Rohs Compliance

172 x 151 x 55 mm

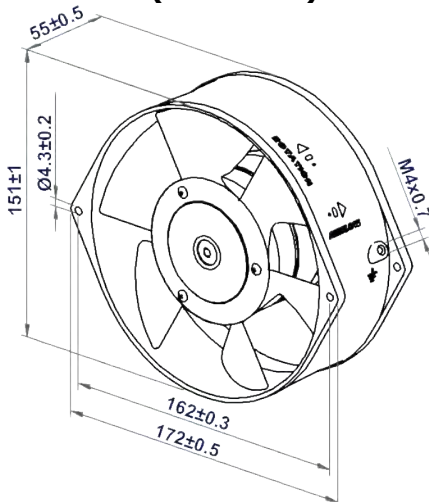
- ⌋ Super Speed ⌋
- ⌋ High Speed ⌋
- ⌋ Medium Speed ⌋
- ⌋ Low Speed ⌋

Specifications

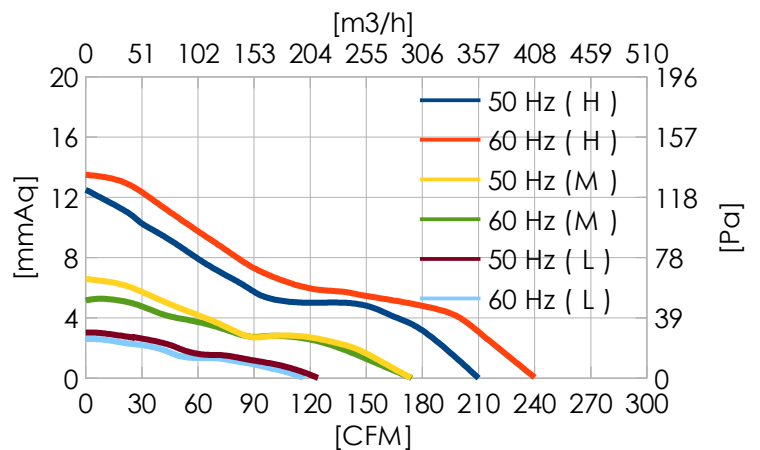
Model No.	Voltage VAC	Freq Hz	Current A	Power W	Speed rpm	Pressure mmAq	Air Flow CFM	Noise dB	TUV	UL	CE
* A15155-V1SBxS	115	50/60	0.27/0.23	26/26	2800/3300	13.5/17.5	210/240	55/61			√
* A15155-V2SBxS	230		0.10/0.11	23/26							
A15155-V1HBxS	115		0.25/0.21	27/25	2700/3100	12.5/13.5	53/59	√	√		√
A15155-V2HBxS	230		0.11/0.12	26/27							
A15155-V1MBxS	115		0.12/0.15	14/17	2350/2350	6.6/5.2	174/174	51/51			√
A15155-V2MBxS	230		0.08/0.10	18/20							
A15155-V1LBxS	115		0.07/0.07	8 / 9	1800/1700	3.0/2.6	124/119	47/45			√
A15155-V2LBxS	230		0.04/0.05	10/11							

x : T (Terminals), L (Lead Wire)

Dimensions (Unit : mm)



Air Flow and Static Pressure



AC Fan

172mm

A15155 AC

55mm thick (Eye type)
 38mm thick (Sidecut type)
 51mm thick (Sidecut type)



General Specifications

Material	Aluminum Housing, Steel Impeller
Bearings	Maintenance-Free Ball Bearings
Motor Type	AC Induction Capacitor
Connection	Terminals or Lead wire
Dielectric Strength	1800 VAC for 1 Sec.
Insulation Resistance	100 MΩ min.@500VDC
Operating Temperature	-20°C to +70°C
Type of Protection	Insulation Class B, F, IP54
Safety	Thermally Protected (Auto Restart)



- Steel Impeller
- Weight : 980 g *
840 g
- Rohs Compliance

172 x 151 x 55 mm

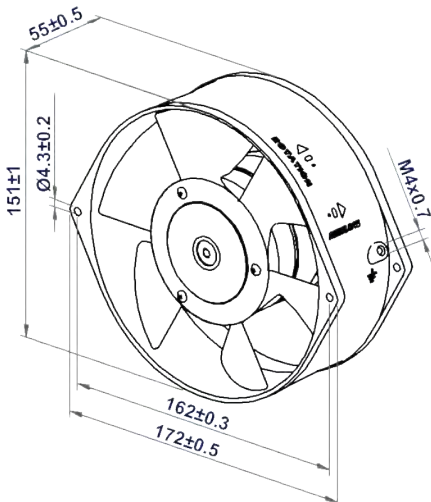
HighSpeed
 Medium Speed
 Low Speed
 ◁ Special ▷

Specifications

Model No.	Voltage VAC	Freq Hz	Current A	Power W	Speed rpm	Pressure mmAq	Air Flow CFM	Noise dB	TUV	UL	CE
A15155-V28BxS	280	50/60	0.11/0.11	27/26	2600/3000	12.0/11.0	200/230	52/58			
A15155-V3HBxS	380		0.06/0.06	22/23							
A15155-V3SBxS	440		0.08/0.07	29/27	2700/3100	12.5/13.5	210/240	57/61			
* A15155-V4SBxS	480		0.07/0.07	33/31	2600/3000						
* A15155-VDSBxS	115		0.25/0.21	27/25	2700/3100						
	230		0.11/0.12	26/27							

x : T (Terminals), L (Lead Wire)

Dimensions (Unit : mm)



Air Flow and Static Pressure

