

225mm

A22580 DC

80mm thick



- Steel Impeller
- Weight : 2530 g
- Rohs Compliance

General Specifications

Material	Aluminum Housing, Steel Impeller
Bearings	Maintenance-Free Ball Bearings
Motor Type	DC Permanent Magnet Brushless
Connection	Terminal Block or Lead wire
Dielectric Strength	500 VAC for 1 Min.
Insulation Resistance	100 MΩ min.@500VDC
Operating Temperature	-10°C to +70°C
Type of Protection	Insulation Class B, IP54
Safety	Locked Rotor Protection and Polarity Protection
Option	RD, FG, PWM/ Voltage(0-10 VDC), PWM/Duty(Over 1kHz from 5VDC to 48VDC)

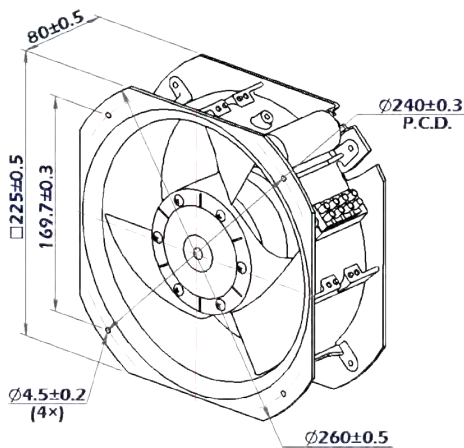
□ **225 x 80** mm

Specifications

Model No.	Voltage VDC	Current A	Speed rpm	Pressure mmAq	Air Flow CFM	Noise dB	Curve NO.	TUV	UL	CE
A22580-D x 7 By S	24/48	2.2/0.94	2800/2850	18	580	67	7			

x : 2 (24 VDC), 4 (48 VDC) **y** : K(Terminal Block), L(Lead Wire)

Dimensions (Unit : mm)



Air Flow and Static Pressure

