

# Ø254mm

## A25489 AC

89mm thick



- Steel Impeller
- Weight : 2750 g
- Rohs Compliance

### General Specifications [一般特性]

|                       |                                    |                 |
|-----------------------|------------------------------------|-----------------|
| Material              | Aluminum Housing                   | [鋁合金框]          |
|                       | Steel Impeller                     | [金屬葉片]          |
| Bearings              | Maintenance-Free Ball Bearings     | [滾珠軸承]          |
| Motor Type            | AC Induction Capacitor             | [電容式感應馬達]       |
| Connection            | Terminals or Lead wire             | [端子或導線連接]       |
| Dielectric Strength   | 1800 VAC for 1 Sec.                | [耐壓規格]          |
| Insulation Resistance | 100 MΩ min.@500VDC                 | [絕緣阻抗]          |
| Operating Temperature | -20°C to +70°C                     | [操作環溫]          |
| Type of Protection    | Insulation Class F                 | [線圈等級]          |
| Ingress Protection    | IP54 (optional IP56, IP67 rated)   | [防塵防水]          |
| Safety                | Thermally Protected (Auto Restart) | [自動回復式溫度開關安全保護] |

# Ø254 x 89 mm

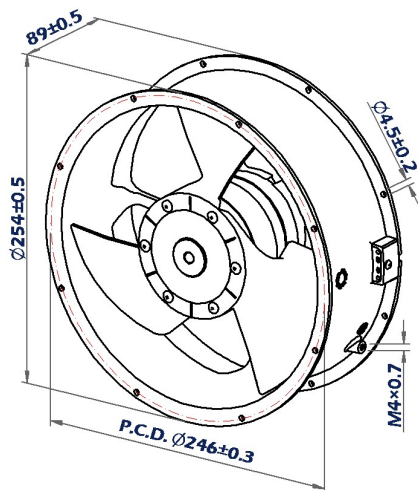
( High Speed )  
 ( Mid Speed )  
 ( Low Speed )  
 ( 高、中、低轉速 )

### Specifications [規格表]

| Model No.<br>[型號] | Voltage<br>[電壓]<br>Vac | Freq<br>[頻率]<br>Hz | Current<br>[電流]<br>A | Power<br>[功率]<br>W | Speed<br>[轉速]<br>rpm | Pressure<br>[靜壓]<br>mmAq | Air Flow<br>[風量]<br>CFM | Noise<br>[噪音]<br>dB | Certification<br>[安規認證]<br>TUV UL CE |   |   |
|-------------------|------------------------|--------------------|----------------------|--------------------|----------------------|--------------------------|-------------------------|---------------------|--------------------------------------|---|---|
| A25489-V1HBxS     | 115                    | 50/60              | 0.59/0.86            | 66/95              | 2800/3200            | 22.5/21.5                | 740/860                 | 66/68               | √                                    | √ | √ |
| A25489-V1MBxS     |                        |                    | 0.34/0.40            | 39/46              | 2200/2100            | 6/5                      | 580/550                 | 59/58               |                                      |   |   |
| A25489-V1LBxS     |                        |                    | 0.21/0.24            | 24/26              | 1400/1650            | 6.3/7.9                  | 370/440                 | 52/54               |                                      |   |   |
| A25489-V2HBxS     | 230                    |                    | 0.28/0.43            | 66/95              | 2800/3200            | 22.5/21.5                | 740/860                 | 66/68               |                                      |   |   |
| A25489-V2MBxS     |                        |                    | 0.18/0.23            | 43/55              | 2400/2400            | 8/7                      | 650/630                 | 60/59               |                                      |   |   |
| A25489-V2LBxS     |                        |                    | 0.11/0.12            | 24/26              | 1400/1650            | 6.3/7.9                  | 370/440                 | 52/54               |                                      |   |   |
| A25489-V3HBxS     | 380                    |                    | 0.17/0.23            | 65/87              | 2800/3200            | 22.5/21.5                | 740/860                 | 66/68               |                                      |   |   |
| A25489-V3SBxS     | 440                    | 0.22/0.32          | 81/95                | 2800/3200          | 22.5/21.5            | 740/860                  | 66/68                   |                     |                                      |   |   |

x: T (Terminals 端子連接), L (Lead Wire 導線連接)

### Dimensions (Unit : mm)



### Air Flow and Static Pressure

