

Ø226mm

# NA22672 AC

72mm thick (Frameless Type)



■ Weight : 1900 g

■ Rohs Compliance

## General Specifications [一般特性]

Material	Steel Impeller	[金屬葉片]
Bearings	Maintenance-Free Ball Bearings	[滾珠軸承]
Motor Type	AC Induction Capacitor	[電容式感應馬達]
Connection	Lead wire	[導線連接]
Dielectric Strength	1800 VAC for 1 Sec.	[耐壓規格]
Insulation Resistance	100 MΩ min.@500VDC	[絕緣阻抗]
Operating Temperature	-20°C to +70°C	[操作環溫]
Type of Protection	Insulation Class B, F	[線圈等級]
Ingress Protection	IP54 (optional IP56, IP67 rated)	[防塵防水]
Safety	Thermally Protected (Auto Restart)	[自動回復式溫度開關安全保護]

Ø226 x 72 mm

( High Speed )

( Low Speed )

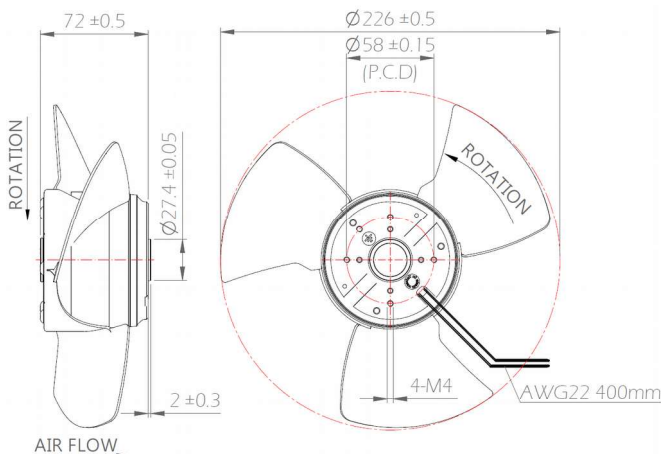
( 高&低轉速 )

## Specifications [規格表]

Model No. [型號]	Voltage [電壓] VAC	Freq [頻率] Hz	Current [電流] A	Power [功率] W	Speed [轉速] rpm	Pressure [靜壓] mmAq	Air Flow [風量] CFM	Noise [噪音] dB
NA22672-V1HBLS	115	50/60	0.59/0.86	66/95	2800/3200	22.5/21.5	740/860	66/68
NA22672-V1LBLS			0.21/0.24	24/26	1400/1650	6.3/7.9	370/440	52/54
NA22672-V2HBLS	230		0.28/0.43	66/95	2800/3200	22.5/21.5	740/860	66/68
NA22672-V2LBLS			0.11/0.12	24/26	1400/1650	6.3/7.9	370/440	52/54

L (Lead Wire 導線連接)

## Dimensions (Unit : mm)



## Air Flow and Static Pressure

