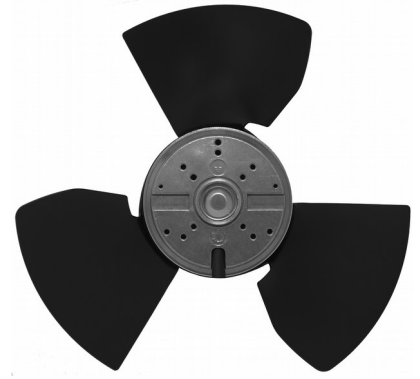


Ø248mm

NA24872 AC

72mm thick (Frameless Type)



■ Weight : 2000 g

■ Rohs Compliance

General Specifications [一般特性]

Material	Steel Impeller	[金屬葉片]
Bearings	Maintenance-Free Ball Bearings	[滾珠軸承]
Motor Type	AC Induction Capacitor	[電容式感應馬達]
Connection	Lead wire	[導線連接]
Dielectric Strength	1800 VAC for 1 Sec.	[耐壓規格]
Insulation Resistance	100 MΩ min.@500VDC	[絕緣阻抗]
Operating Temperature	-20°C to +70°C	[操作環溫]
Type of Protection	Insulation Class F	[線圈等級]
Ingress Protection	IP54 (optional IP56, IP67 rated)	[防塵防水]
Safety	Thermally Protected (Auto Restart)	[自動回復式溫度開關安全保護]

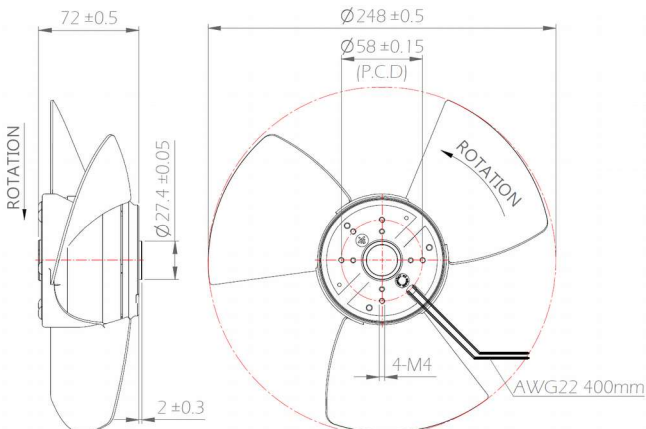
Ø248 x 72 mm (High Speed)
[高轉速]

Specifications [規格表]

Model No. [型號]	Voltage [電壓] VAC	Freq [頻率] Hz	Current [電流] A	Power [功率] W	Speed [轉速] rpm	Pressure [靜壓] mmAq	Air Flow [風量] CFM	Noise [噪音] dB
NA24872-V1HBL ^L S	115	50/60	0.81/1.20	95/138	2650/2900	24.5/20.5	1090/1200	70/73
NA24872-V2HBL ^L S	230		0.43/0.63					

^L (Lead Wire 導線連接)

Dimensions (Unit : mm)



Air Flow and Static Pressure

