

172mm

A17238 AC

38mm thick (Sidecut type)
 51mm thick (Sidecut type)
 55mm thick (Eye type)



General Specifications

Material	Aluminum Housing, Plastic Impeller
Bearings	Maintenance-Free Ball Bearings
Motor Type	AC Induction Capacitor
Connection	Terminals or Lead wire
Dielectric Strength	1800 VAC for 1 Sec.
Insulation Resistance	100 MΩ min.@500VDC
Operating Temperature	-20°C to +70°C
Type of Protection	Insulation Class B, IP54
Safety	Thermally Protected (Auto Restart)



- Plastic Impeller
- Weight : 800 g
- Rohs Compliance

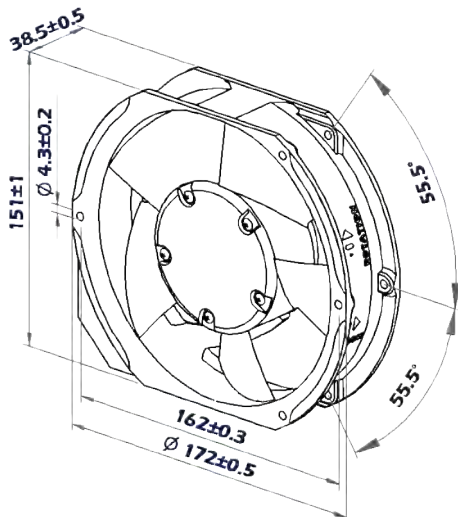
172 x 151 x 38 mm ‹ High Speed ›

Specifications

Model No.	Voltage VAC	Freq Hz	Current A	Power W	Speed rpm	Pressure mmAq	Air Flow CFM	Noise dB	TUV	UL	CE
A17238-V1HBxP	115	50/60	0.25/0.21	27/25	2700/3100	14.0/15.5	210/250	53/59	√	√	√
A17238-V2HBxP	230		0.11/0.10	25/25							

x : T (Terminals), L (Lead Wire)

Dimensions (Unit : mm)



Air Flow and Static Pressure

