

AC Fan

172mm

A17251 AC

51mm thick (Sidecut type)
 38mm thick (Sidecut type)
 55mm thick (Eye type)



General Specifications

Material	Aluminum Housing, Steel Impeller
Bearings	Maintenance-Free Ball Bearings
Motor Type	AC Induction Capacitor
Connection	Terminals or Lead wire
Dielectric Strength	1800 VAC for 1 Sec.
Insulation Resistance	100 MΩ min.@500VDC
Operating Temperature	-20°C to +70°C
Type of Protection	Insulation Class B, F, IP54
Safety	Thermally Protected (Auto Restart)



- Steel Impeller
- Weight : 1080 g *
940 g
- Rohs Compliance

172 x 151 x 51 mm

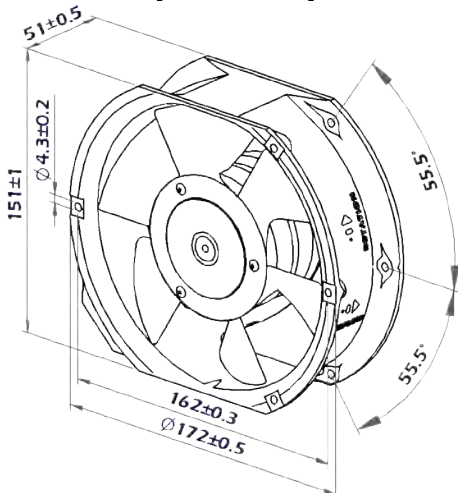
- ⌋ Super Speed ⌋
- ⌋ High Speed ⌋
- ⌋ Medium Speed ⌋
- ⌋ Low Speed ⌋

Specifications

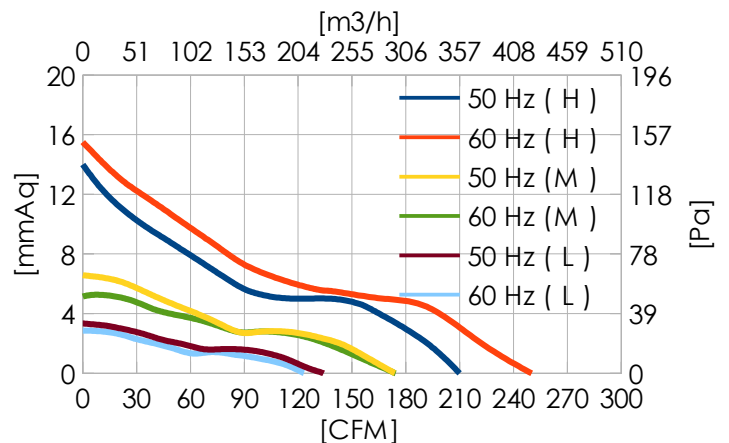
Model No.	Voltage VAC	Freq Hz	Current A	Power W	Speed rpm	Pressure mmAq	Air Flow CFM	Noise dB	TUV	UL	CE
* A17251-V1SBxS	115	50/60	0.27/0.23	26/26	2800/3300	16.5/20.0	220/260	55/61	√	√	√
* A17251-V2SBxS	230		0.10/0.11	23/26							
A17251-V1HBxS	115		0.25/0.21	27/25	2700/3100	14.0/15.5	210/250	53/59			√
A17251-V2HBxS	230		0.11/0.12	26/27							
A17251-V1MBxS	115		0.12/0.15	14/17	2400/2350	6.6/5.2	174/174	51/51			√
A17251-V2MBxS	230		0.07/0.10	16/19							
A17251-V1LBxS	115		0.07/0.07	8 / 9	1800/1700	3.3/2.9	135/123	47/45			√
A17251-V2LBxS	230		0.04/0.05	10/11	1850/1700						

x : T (Terminals), L (Lead Wire)

Dimensions (Unit : mm)



Air Flow and Static Pressure



AC Fan

172mm

A17251 AC

51mm thick (Sidecut type)

38mm thick (Sidecut type)

55mm thick (Eye type)



General Specifications

Material	Aluminum Housing, Steel Impeller
Bearings	Maintenance-Free Ball Bearings
Motor Type	AC Induction Capacitor
Connection	Terminals or Lead wire
Dielectric Strength	1800 VAC for 1 Sec.
Insulation Resistance	100 MΩ min.@500VDC
Operating Temperature	-20°C to +70°C
Type of Protection	Insulation Class B, F, IP54
Safety	Thermally Protected (Auto Restart)



- Steel Impeller
- Weight : 1080 g *
940 g
- Rohs Compliance

172 x 151 x 51 mm

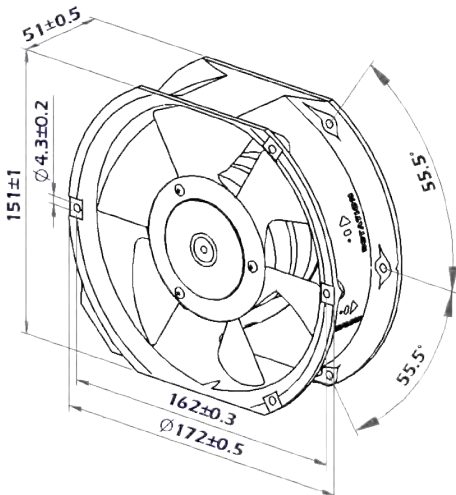
High Speed
Medium Speed
Low Speed
◁ Special ▷

Specifications

Model No.	Voltage VAC	Freq Hz	Current A	Power W	Speed rpm	Pressure mmAq	Air Flow CFM	Noise dB	TUV	UL	CE
A17251-V28BxS	280	50/60	0.11/0.11	27/26	2600/3000	12.0/11.0	200/230	52/58			
A17251-V3HBxS	380		0.06/0.06	22/23							
A17251-V3SBxS	440		0.08/0.07	29/27	2700/3100	13.5/14.5	210/240	53/59			
* A17251-V4SBxS	480		0.07/0.07	33/31	2600/3000	12.0/11.0					
* A17251-VDSBxS	115		0.25/0.21	27/25	2700/3100	14.0/15.5	210/250				
	230		0.11/0.12	26/27							

x : T (Terminals), L (Lead Wire)

Dimensions (Unit : mm)



Air Flow and Static Pressure

