

AC Fan

Ø172mm

A17251Ø AC

51mm thick (Round type)

51mm thick (Sidecut type)



General Specifications

Material	Aluminum Housing, Plastic Impeller
Bearings	Maintenance-Free Ball Bearings
Motor Type	AC Induction Capacitor
Connection	Terminals or Lead wire
Dielectric Strength	1800 VAC for 1 Sec.
Insulation Resistance	100 MΩ min.@500VDC
Operating Temperature	-20°C to +70°C
Type of Protection	Insulation Class B, F, IP54
Safety	Thermally Protected (Auto Restart)



- Plastic Impeller
- Weight : 1050 g *
920 g
- Rohs Compliance

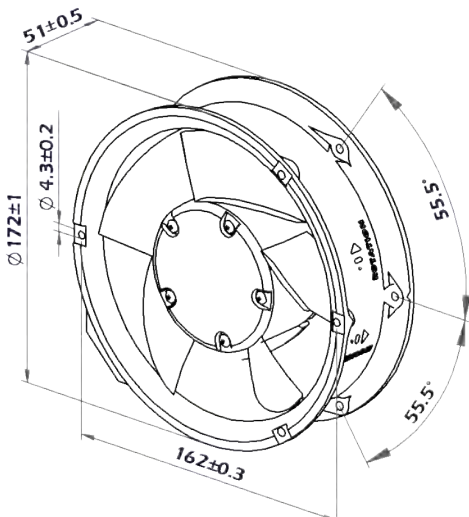
Ø172 x 51 mm 「 Super Speed 」
「 High Speed 」

Specifications

Model No.	Voltage VAC	Freq Hz	Current A	Power W	Speed rpm	Pressure mmAq	Air Flow CFM	Noise dB	TUV	UL	CE
* A17251Ø-V1SBxP	115	50/60	0.28/0.24	27/27	2800/3300	17.0/20.0	240/285	55/61	√	√	√
* A17251Ø-V2SBxP	230		0.11/0.12	24/27							
A17251Ø-V1HBxP	115		0.25/0.23	27/27	2650/3050	14.0/15.5	210/250	53/59			√
A17251Ø-V2HBxP	230		0.11/0.11	26/26							

x : T (Terminals), L (Lead Wire)

Dimensions (Unit : mm)



Air Flow and Static Pressure

