

DC Fan

172mm

A17238 DC

38mm thick (Sidecut type)

51mm thick (Sidecut type)

55mm thick (Eye type)



- Plastic Impeller
- Weight : 840 g
- Rohs Compliance

General Specifications

| | |
|-----------------------|--|
| Material | Aluminum Housing, Plastic Impeller |
| Bearings | Maintenance-Free Ball Bearings |
| Motor Type | DC Permanent Magnet Brushless |
| Connection | Terminals or Lead wire |
| Dielectric Strength | 500 VAC for 1 Min. |
| Insulation Resistance | 100 MΩ min.@500VDC |
| Operating Temperature | -10°C to +70°C |
| Type of Protection | Insulation Class B, IP54 |
| Safety | Locked Rotor Protection and Polarity Protection |
| Option | RD, FG, PWM/ Voltage(0-10 VDC), PWM/Duty(Over 1kHz from 5VDC to 48VDC) |

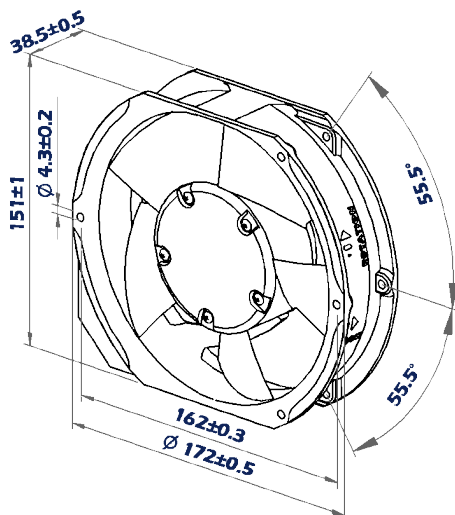
172 x 151 x 38 mm

Specifications

| Model No. | Voltage VDC | Current A | Speed rpm | Pressure mmAq | Air Flow CFM | Noise dB | Curve NO. | TUV UL CE | | |
|----------------|-------------|----------------|-----------|---------------|--------------|----------|-----------|-----------|---|---|
| | | | | | | | | | | |
| A17238-Dx7BLP | 12/24/48 | 1.10/0.54/0.28 | 2800 | 14.5 | 210 | 52 | 7 | √ | √ | √ |
| A17238-Dx8BLP | | 1.59/0.78/0.37 | 3200 | 18.6 | 245 | 56 | 8 | | | |
| A17238-Dx9BLP | | 2.34/1.08/0.52 | 3600 | 23.1 | 275 | 60 | 9 | | | |
| A17238-DxA BLP | | 3.33/1.38/0.68 | 4000 | 28.5 | 310 | 64 | A | | | |
| A17238-DxB BLP | /24/48 | /1.91/0.90 | 4400 | 33.4 | 340 | 68 | B | √ | √ | √ |
| A17238-DxC BLP | | /2.34/1.13 | 4800 | 39.2 | 360 | 72 | C | | | |

x : 1 (12 VDC), 2 (24 VDC), 4 (48 VDC)

Dimensions (Unit : mm)



Air Flow and Static Pressure

