

DC Fan

172mm

A17238 DC

38mm thick (Sidecut type)

51mm thick (Sidecut type)

55mm thick (Eye type)



- Steel Impeller
- Weight : 880 g
- Rohs Compliance

General Specifications

Material	Aluminum Housing, Steel Impeller
Bearings	Maintenance-Free Ball Bearings
Motor Type	DC Permanent Magnet Brushless
Connection	Terminals or Lead wire
Dielectric Strength	500 VAC for 1 Min.
Insulation Resistance	100 MΩ min.@500VDC
Operating Temperature	-10°C to +70°C
Type of Protection	Insulation Class B, IP54
Safety	Locked Rotor Protection and Polarity Protection
Option	RD, FG, PWM/ Voltage(0-10 VDC), PWM/Duty(Over 1kHz from 5VDC to 48VDC)

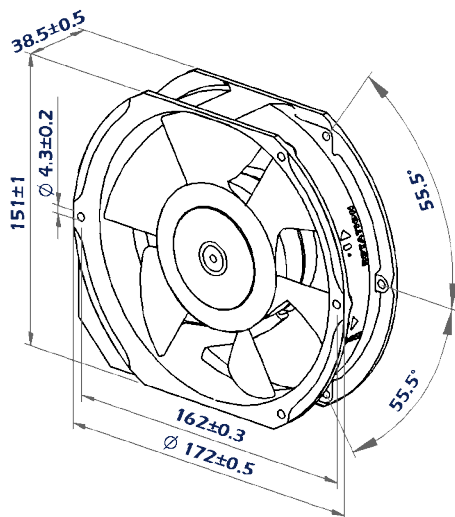
172 x 151 x 38 mm

Specifications

Model No.	Voltage VDC	Current A	Speed rpm	Pressure mmAq	Air Flow CFM	Noise dB	Curve NO.	TUV UL CE		
A17238-Dx7BLS	12/24/48	1.10/0.54/0.28	2800	14.5	210	52	7	√	√	√
A17238-Dx8BLS		1.59/0.78/0.37	3200	18.6	245	56	8			
A17238-Dx9BLS		2.34/1.08/0.52	3600	23.1	275	60	9			
A17238-DxABLS		3.33/1.38/0.68	4000	28.5	310	64	A			
A17238-DxBBLS	/24/48	/1.91/0.90	4400	33.4	340	68	B	√	√	√
A17238-DxCBLS		/2.34/1.13	4800	39.2	360	72	C			

x : 1 (12 VDC), 2 (24 VDC), 4 (48 VDC)

Dimensions (Unit : mm)



Air Flow and Static Pressure

