

DC Fan

Ø172mm

A17251Ø DC

51mm thick (Round type)

51mm thick (Sidecut type)



- Steel Impeller
- Weight : 1100 g
- Rohs Compliance

General Specifications [一般特性]

Material	Aluminum Housing	[鋁合金框]
	Steel Impeller	[金屬葉片]
Bearings	Maintenance-Free Ball Bearings	[滾珠軸承]
Motor Type	DC Permanent Magnet Brushless	[DC無刷馬達]
Connection	Lead wire	[導線連接]
Dielectric Strength	500 VAC for 1 Min.	[耐壓規格]
Insulation Resistance	100 MΩ min.@500VDC	[絕緣阻抗]
Operating Temperature	-10°C to +70°C	[操作環溫]
Type of Protection	Insulation Class B	[線圈等級]
Ingress Protection	IP54 (optional IP56 rated)	[防塵防水]
Safety	Locked Rotor Protection and Polarity Protection	[堵轉及防逆接安全保護]
Option	RD, FG, PWM/0-10 speed control	[功能選項]

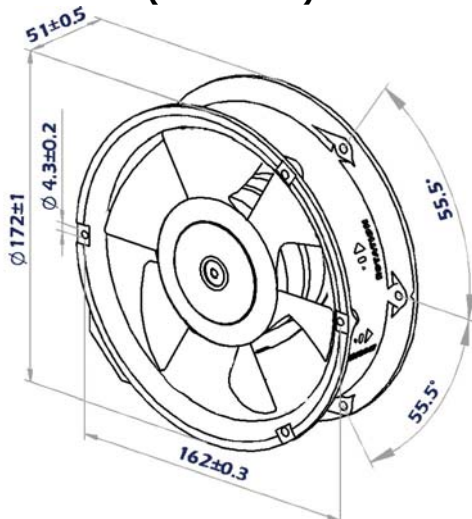
Ø172 x 51 mm

Specifications [規格表]

Model No. [型號]	Voltage [電壓] VDC	Current [電流] A	Speed [轉速] rpm	Pressure [靜壓] mmAq	Air Flow [風量] CFM	Noise [噪音] dB	Curve [曲線] NO.	Certification [安規認證]		
								TUV	UL	CE
A17251Ø-Dx7BLS	12/24/48	1.17/0.56/0.28	2800	14.2	210	52	7			
A17251Ø-Dx8BLS		1.60/0.77/0.39	3200	18.1	245	56	8			
A17251Ø-Dx9BLS		2.39/1.07/0.51	3600	22.7	275	60	9			
A17251Ø-DxABLS		2.76/1.38/0.69	4000	27.8	310	64	A			
A17251Ø-DxBBLS	/24/48	/1.80/0.90	4400	32.9	340	68	B			
A17251Ø-DxCBLS		/2.30/1.18	4800	37.8	360	72	C			
A17251-DxEBLS	/48	/2.05	5800	48.5	437	73				
A17251-DxHBLS	/48	/3.30	6800	57.0	507	75				

x : 1 (12 VDC), 2 (24 VDC), 4 (48 VDC)

Dimensions (Unit : mm)



Air Flow and Static Pressure

