

Ø145mm

**NA14555 AC**

55mm thick (Frameless Type)



■ Weight : 640 g

■ Rohs Compliance

**General Specifications [一般特性]**

Material	Steel Impeller	[金屬葉片]
Bearings	Maintenance-Free Ball Bearings	[滾珠軸承]
Motor Type	AC Induction Capacitor	[電容式感應馬達]
Connection	Lead wire	[導線連接]
Dielectric Strength	1800 VAC for 1 Sec.	[耐壓規格]
Insulation Resistance	100 MΩ min.@500VDC	[絕緣阻抗]
Operating Temperature	-20°C to +70°C	[操作環溫]
Type of Protection	Insulation Class F	[線圈等級]
Ingress Protection	IP54 (optional IP56, IP67 rated)	[防塵防水]
Safety	Thermally Protected (Auto Restart)	[自動回復式溫度開關安全保護]

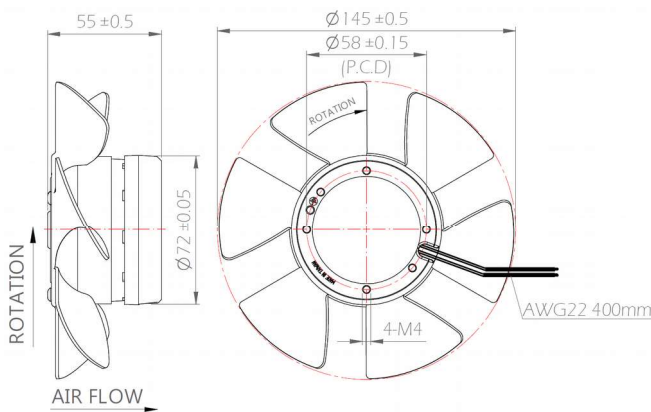
Ø145 x 55 mm ( Super Speed )  
( 超高轉速 )

**Specifications [規格表]**

Model No. [型號]	Voltage [電壓] VAC	Freq [頻率] Hz	Current [電流] A	Power [功率] W	Speed [轉速] rpm	Pressure [靜壓] mmAq	Air Flow [風量] CFM	Noise [噪音] dB
NA14555-V1SBL S	115	50/60	0.27/0.23	26/26	2800/3300	16.5/20	220/260	55/61
NA14555-V2SBL S	230		0.10/0.11	23/26				

L (Lead Wire 導線連接)

**Dimensions (Unit : mm)**



**Air Flow and Static Pressure**

