

Specification For Approval



Model : C22076-V1TBLP

Dimensions : Ø220 x 76 mm

Description : AC Centrifugal Fan

Released Date : 2022.08.18

Daring Technology Industry CO.,LTD.

Tel : +886-6-2037525 Fax : +886-6-2037529

E-mail : daring@daring.com.tw

<http://www.daring.com.tw>

Product Specification

C22076-V1TBLP

Ø220 x 76 mm

220 mm

General Specification

Rated Voltage	AC 115 V	
Frequency	50 / 60 Hz	
Rated Current	0.50 / 0.46 A (High Speed) 0.31 / 0.30 A (Medium Speed) 0.21 / 0.22 A (Low Speed)	*At Rated Voltage 25°C, 65%RH, Free Air.
Power Consumption	56 / 52 W (High Speed) 35 / 34 W (Medium Speed) 24 / 25 W (Low Speed)	*At Rated Voltage AMCA-210-99 Standard.
Rotating Speed ±10%	1200 / 1400 RPM(High Speed) 1150 / 1200 RPM(Medium Speed) 1050 / 1000 RPM(Low Speed)	
Airflow ±10%	210 / 240 CFM (High Speed) 200 / 215 CFM (Medium Speed) 185 / 180 CFM (Low Speed)	
Static Pressure ±10%	8.1 / 11 mmAq (High Speed) 7.4 / 9.1 mmAq (Medium Speed) 6.3 / 6.8 mmAq (Low Speed)	
Noise Level	55 / 57 dB (High Speed) 53 / 55 dB (Medium Speed) 52 / 52 dB (Low Speed)	
No. of Impeller	11 Impellers	
No. of Pole	4 Poles	
Rotating Direction	Counter-Clockwise View From Label Side	
Tolerance	±10% At Rated Voltage	
Motor Type	AC Induction Capacitor Motor	
Safety	Thermally-Protected	
Life L10 at 25°C	70000/hrs (Ordinary Humidity)	
Insulation	Class F	
Weight	1980 g	
Packing	5 pcs. Per Export Carton. L x W x H = 41x28x29 cm N.W.:10KGS G.W.:11.5KGS	



Capacitor 6 μ F/ 250V
 Type of Protection IP54

■ Main Materials / Parts Specification

Impeller Plastic, UL94V-0
 Bearing Ball Bearing
 Connection Lead Wire, UL1007 AWG22

■ Safety Approvals

Safety	UL	CUL	TUV
File No.			

■ Environmental Specification

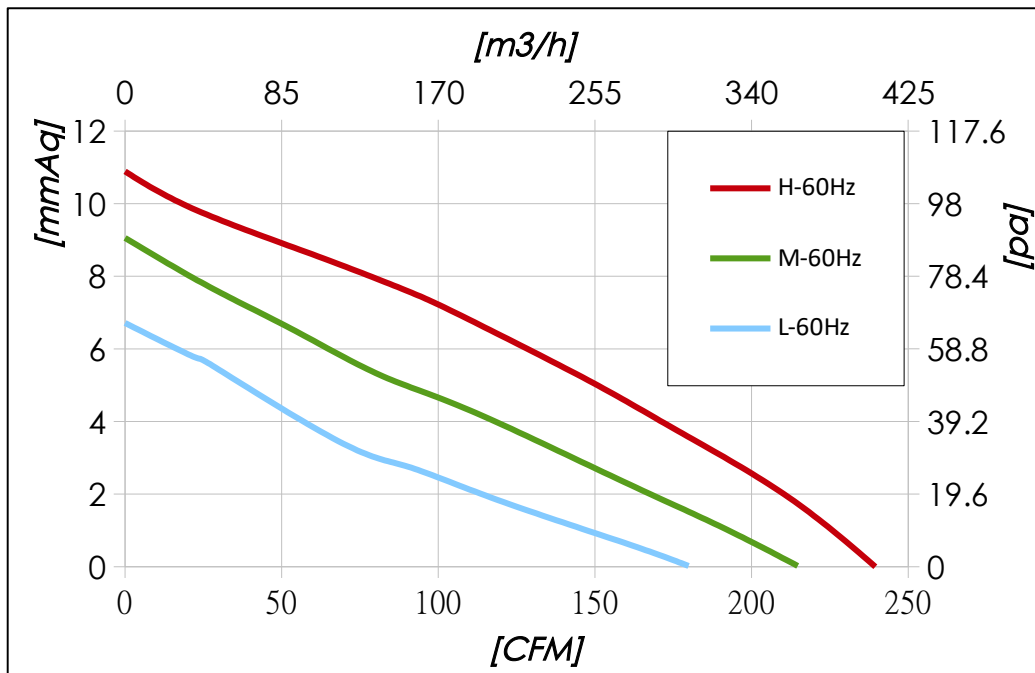
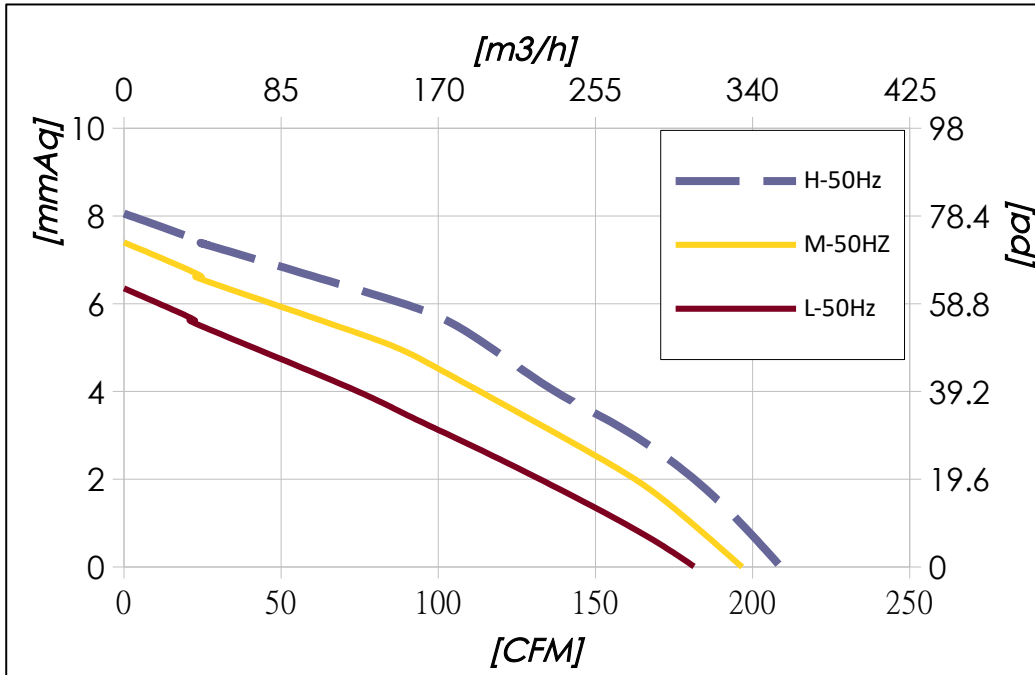
Operating Temperature -20°C~+60°C
 Storage Temperature -40°C~+80°C (Normal Humidity)

■ Electrical Specification

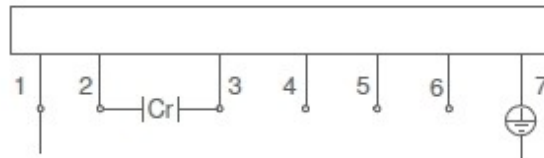
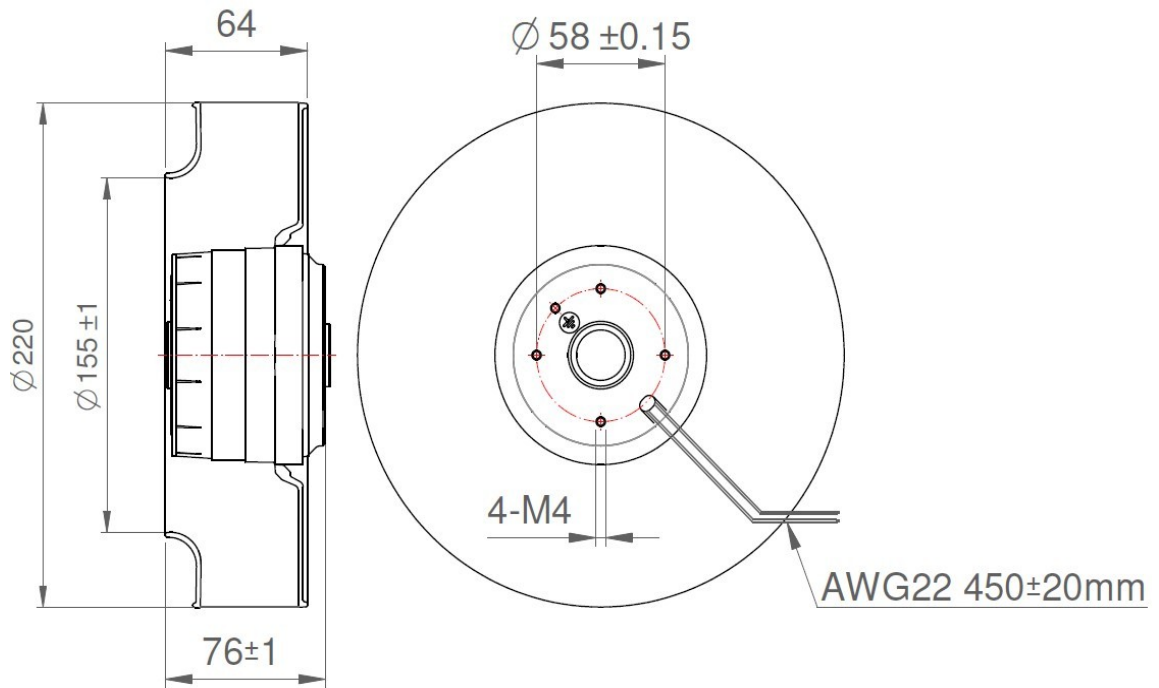
Insulation Resistance Minimum 100M Ω between frame and AC lead wire /
 terminal at 500VDC/min.
 Dielectrical Strength Maximum leakage 0.5mA between frame and AC
 lead wire / terminal at 1.5KVAC/min



Airflow Performance



Outline Dimension(Unit:mm)



1	N / Black
2	White
3	White
4	High speed /Red
5	Medium speed /Blue
6	Low speed /Yellow
7	Ground /Green&Yellow



Notes

- 1 The fan is recommended for a limited warranty period up to one year begin on the delivery date from factory to guarantee a proper operation and service lifetime except further statement. The warranty does not cover defects resulting from misuse against datasheet or damage caused by accidents.
- 2 Only trained and qualified technical specialists are permitted to install, connect, operate or maintain the fan. Any failure might lead to breakdown, injury, electric shock, burn or fire.
- 3 Do not perform any repair, disassemble, addition or modifications to the fan, it will invalidate warranty of the fan, and might result in injury, electrical shock burn or fire.
- 4 Never remove any original identification tag on the fan, it will invalidate warranty of the fan. Make sure the information on tag can be seen clearly after installation to avoid any improperly usage that can result in damage or dangers.
- 5 Ensure the supply voltage matches the operating voltage of the fan before connecting it. Never use the fan at exceed voltage, temperature, humidity or other level settings given in the datasheet, which might result in breakdown, injury, electrical shock, burn or fire.
- 6 Only use cables that meet current and insulation grade according to datasheet. Route cables properly after installation so that they can't touch any rotating part.
- 7 Do not carry the fan by its lead wires, pulling or pinching the lead wires could result in damage to the wires and fan itself.
- 8 The fan is an auxiliary or built-in component which features no electrically isolating switch, the operator is responsible for providing adequate protection for it. Only connect the device to circuits that can be switched off by an all-pole disconnecting switch. And To operate the fan with an isolating safety protection cover or a fixed finger guard grille.
- 9 When install the device, wear safety shoes and cut-resistant safety gloves. Well inspect to make sure no any transport and external damage on the fan, if any, the fan must no longer be used or installed. Make sure the fan be mounted properly, incorrect mounting might cause exceed resonance, vibration and noise.
- 10 The fan will operate immediately once the power or control voltage is applied, it might become damaging if any body, object or external force interfere with the fan operation.
- 11 Body parts that come into contact with the fan blades can be injured or damaged, secure finger, body or any devices against accidental contact. Always wait until the blades have come to a standstill before working on the fan.
- 12 Loose items, hair, jewellery or clothing could become entangled and pulled into the device to cause serious injury. Keep hair form the fan and do not wear any loose clothing or jewellery while working on the fan or near the fan.
- 13 Shut down the fan immediately if you detect any malfunction or ineffective feature include protective features on the fan.
- 14 To store the fans in clean and stable environment, prevent the fan from dirty, corrosive, hazardous and magnetic environment, avoid direct sunlight and any impact on it. Always ensure the temperature and relative humidity meet the levels specified in datasheet. A pre-testing is recommended before installation if the fan have been stored over 6 months.
- 15 When disposing of the devices, please comply with all relevant requirement and regulations applicable in your country or local government authorities.
- 16 All tests in datasheet are carried out at ordinary ambient temperature and relative humidity (25°C, 65%RH) except further statement.

