

## AC Fan

# 172mm

## A17238 AC

38mm thick ( Sidecut type )

51mm thick ( Sidecut type )

55mm thick ( Eye type )



### General Specifications

|                       |                                    |
|-----------------------|------------------------------------|
| Material              | Aluminum Housing, Steel Impeller   |
| Bearings              | Maintenance-Free Ball Bearings     |
| Motor Type            | AC Induction Capacitor             |
| Connection            | Terminals or Lead wire             |
| Dielectric Strength   | 1800 VAC for 1 Sec.                |
| Insulation Resistance | 100 MΩ min.@500VDC                 |
| Operating Temperature | -20°C to +70°C                     |
| Type of Protection    | Insulation Class B, IP54           |
| Safety                | Thermally Protected (Auto Restart) |



- Steel Impeller
- Weight : 820 g
- Rohs Compliance

# 172 x 151 x 38 mm

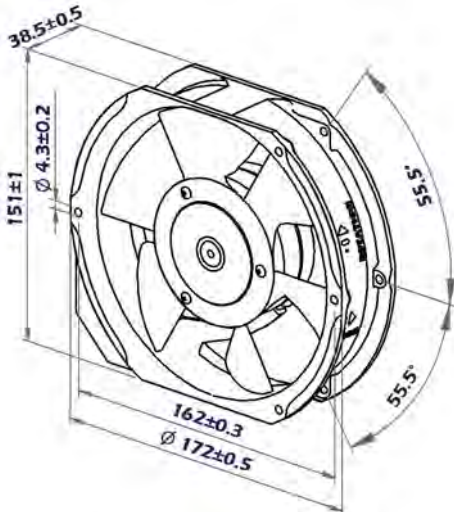
- ⌋ High Speed ⌋
- ⌋ Medium Speed ⌋
- ⌋ Low Speed ⌋

### Specifications

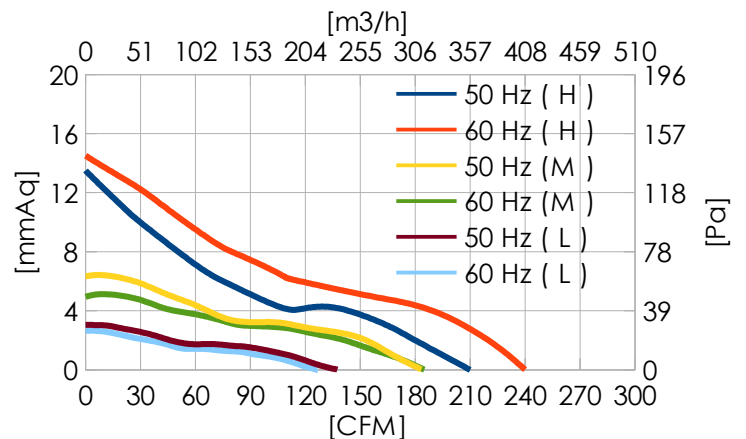
| Model No.     | Voltage VAC | Freq Hz | Current A | Power W   | Speed rpm | Pressure mmAq | Air Flow CFM | Noise dB | TUV | UL | CE |
|---------------|-------------|---------|-----------|-----------|-----------|---------------|--------------|----------|-----|----|----|
| A17238-V1HBxS | 115         | 50/60   | 0.25/0.21 | 27/25     | 2700/3100 | 13.5/14.5     | 210/240      | 53/59    | √   | √  | √  |
| A17238-V2HBxS | 230         |         | 0.11/0.12 | 26/27     |           |               |              |          |     |    |    |
| A17238-V1MBxS | 115         |         | 0.13/0.16 | 14.5/17.0 | 2400/2400 | 6.3/4.9       | 183/185      | 51/51    |     |    |    |
| A17238-V2MBxS | 230         |         | 0.08/0.10 | 16.4/19.0 |           |               |              |          |     |    |    |
| A17238-V1LBxS | 115         |         | 0.07/0.07 | 8/9       | 1750/1750 | 3.1/2.7       | 138/127      | 46/35    |     |    |    |
| A17238-V2LBxS | 230         |         | 0.04/0.05 | 10/11     |           |               |              |          |     |    |    |

x : T (Terminals), L (Lead Wire)

### Dimensions (Unit : mm)



### Air Flow and Static Pressure



## AC Fan

# 172mm

## A17238 AC

38mm thick ( Sidecut type )

51mm thick ( Sidecut type )

55mm thick ( Eye type )



### General Specifications

|                       |                                    |
|-----------------------|------------------------------------|
| Material              | Aluminum Housing, Steel Impeller   |
| Bearings              | Maintenance-Free Ball Bearings     |
| Motor Type            | AC Induction Capacitor             |
| Connection            | Terminals or Lead wire             |
| Dielectric Strength   | 1800 VAC for 1 Sec.                |
| Insulation Resistance | 100 MΩ min.@500VDC                 |
| Operating Temperature | -20°C to +70°C                     |
| Type of Protection    | Insulation Class B, IP54           |
| Safety                | Thermally Protected (Auto Restart) |



- Steel Impeller
- Weight : 820 g
- Rohs Compliance

# 172 x 151 x 38 mm

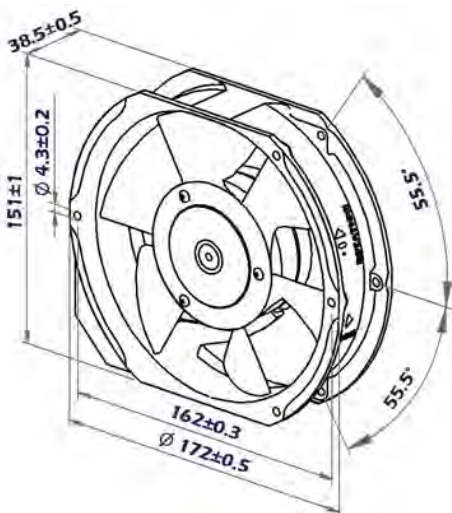
High Speed  
Medium Speed  
Low Speed  
◁ Special ▷

### Specifications

| Model No.     | Voltage VAC | Freq Hz | Current A | Power W | Speed rpm | Pressure mmAq | Air Flow CFM | Noise dB  | TUV | UL | CE |
|---------------|-------------|---------|-----------|---------|-----------|---------------|--------------|-----------|-----|----|----|
| A17238-V28BxS | 280         | 50/60   | 0.11/0.11 | 27/26   | 2600/3000 | 12.0/11.0     | 200/230      | 52/58     |     |    |    |
| A17238-V3HBxS | 380         |         | 0.06/0.06 | 22/23   |           |               |              | 2700/3100 |     |    |    |
| A17238-V3SBxS | 440         |         | 0.08/0.07 | 29/27   | 2600/3000 | 12.5/14.0     | 200/230      |           |     |    |    |
| A17238-V4SBxS | 480         |         | 0.07/0.07 | 33/31   |           |               |              | 2650/3050 |     |    |    |
| A17238-VDHBxS | 115         |         | 0.25/0.26 | 29/30   |           |               |              |           |     |    |    |
|               | 230         |         | 0.15/0.13 | 31/29   |           |               |              |           |     |    |    |

x : T (Terminals), L (Lead Wire)

### Dimensions (Unit : mm)



### Air Flow and Static Pressure

