

AC Centrifugal Fan

Ø170mm

C17065 AC

65mm thick



General Specifications [一般特性]

Material	Plastic Impeller	[塑膠葉片]
Bearings	Maintenance-Free Ball Bearings	[滾珠軸承]
Motor Type	AC Induction Capacitor	[電容式感應馬達]
Connection	Lead wire	[導線連接]
Dielectric Strength	1800 VAC for 1 Sec.	[耐壓規格]
Insulation Resistance	100 MΩ min.@500VDC	[絕緣阻抗]
Operating Temperature	-20°C to +70°C	[操作環溫]
Type of Protection	Insulation Class F	[線圈等級]
Ingress Protection	IP54	[防塵防水]
Safety	Thermally Protected (Auto Restart)	[溫度開關保護(可自動回復)]



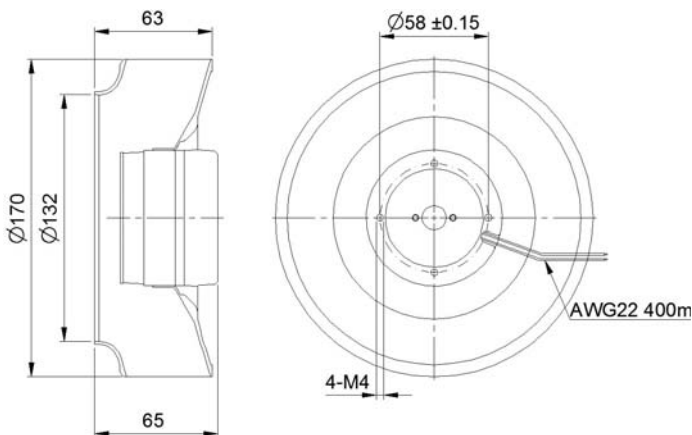
- Plastic Impeller
- Weight : 900 g
- Rohs Compliance

Ø170 x 65 mm (High Speed)
(高轉速)

Specifications [規格表]

Model No. [型號]	Voltage [電壓] VAC	Freq [頻率] Hz	Current [電流] A	Power [功率] W	Speed [轉速] rpm	Pressure [靜壓] mmAq	Air Flow [風量] CFM	Noise [噪音] dB	Certification [安規認證]		
									TUV	UL	CE
C17065-V1HBLP	115	50/60	0.26/0.27	27/31	2750/3100	23/30	243/276	67/69	√	√	√
C17065-V2HBLP	230		0.10/0.13	24/30							
C17065-V3HBLP	380V		0.08/0.09	30/34							

Dimensions (Unit : mm)



Air Flow and Static Pressure

