

AC Centrifugal Fan

Ø175mm

C17569 AC

69mm thick



General Specifications [一般特性]

Material	Plastic Impeller	[塑膠葉片]
Bearings	Maintenance-Free Ball Bearings	[滾珠軸承]
Motor Type	AC Induction Capacitor	[電容式感應馬達]
Connection	Lead wire	[導線連接]
Dielectric Strength	1800 VAC for 1 Sec.	[耐壓規格]
Insulation Resistance	100 MΩ min.@500VDC	[絕緣阻抗]
Operating Temperature	-20°C to +70°C	[操作環溫]
Type of Protection	Insulation Class F	[線圈等級]
Ingress Protection	IP54	[防塵防水]
Safety	Thermally Protected (Auto Restart)	[溫度開關保護(可自動回復)]



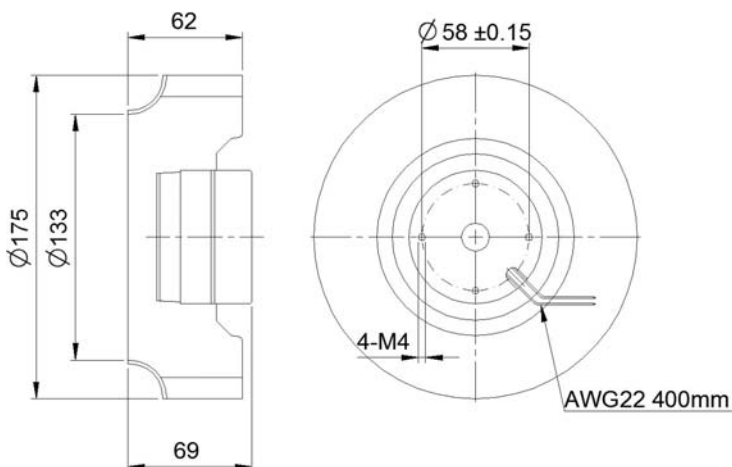
- Plastic Impeller
- Weight : 870 g
- Rohs Compliance

Ø175 x 69 mm (High Speed)
[高轉速]

Specifications [規格表]

Model No. [型號]	Voltage [電壓] VAC	Freq [頻率] Hz	Current [電流] A	Power [功率] W	Speed [轉速] rpm	Pressure [靜壓] mmAq	Air Flow [風量] CFM	Noise [噪音] dB	Certification [安規認證]		
									TUV	UL	CE
C17569-V1HBLP	115	50/60	0.48/0.54	53/63	2600/2900	28/37	294/313	66/68	✓	✓	✓
C17569-V2HBLP	230		0.22/0.28	52/64							

Dimensions (Unit : mm)



Air Flow and Static Pressure

