

AC Centrifugal Fan

ø225mm

C225101 AC

101mm thick



- Plastic Impeller
- Weight : 1985 g
- Rohs Compliance

General Specifications [一般特性]

Material	Plastic Impeller	[塑膠葉片]
Bearings	Maintenance-Free Ball Bearings	[滾珠軸承]
Motor Type	AC Induction Capacitor	[電容式感應馬達]
Connection	Lead wire	[導線連接]
Dielectric Strength	1800 VAC for 1 Sec.	[耐壓規格]
Insulation Resistance	100 MΩ min.@500VDC	[絕緣阻抗]
Operating Temperature	-20°C to +70°C	[操作環溫]
Type of Protection	Insulation Class F	[線圈等級]
Ingress Protection	IP54	[防塵防水]
Safety	Thermally Protected (Auto Restart)	[溫度開關保護(可自動回復)]

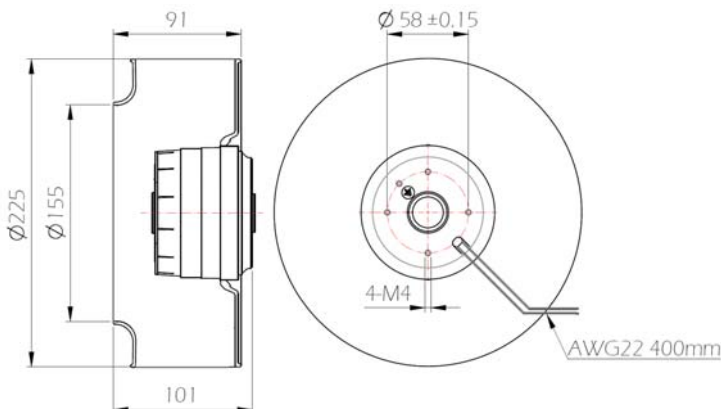
ø225 x 101 mm ◁ High Speed ▷
◁ Low Speed ▷
〔高&低轉速〕

Specifications [規格表]

Model No. [型號]	Voltage [電壓] VAC	Freq [頻率] Hz	Current [電流] A	Power [功率] W	Speed [轉速] rpm	Pressure [靜壓] mmAq	Air Flow [風量] CFM	Noise [噪音] dB	Certification [安規認證]		
									TUV	UL	CE
C225101-V1HBLP	115	50/60	0.93/1.30	109/145	2500/2500	52/64	636/635	70/72	√	√	√
C225101-V2HBLP	230		0.49/0.67								
C225101-V1LBLP	115		0.39/0.39	40/45	1400/1600	14/20	347/405	59/61			
C225101-V2LBLP	230		0.18/0.22	40/50							
C22599-V3HBLP	380		0.32/0.43	122/163	2250/2750	46/70	595/726	68/74			
C225101-V2HBLP*	230		0.58/0.84	135/195	2650/2950	55/74	700/750	72/73			

*upgrade version

Dimensions (Unit : mm)



Air Flow and Static Pressure

