

## AC Fan

Ø254mm

## A25489 AC 3ø

89mm thick



3-Phase



- Steel Impeller
- Weight : 2750 g
- Rohs Compliance

### General Specifications [一般特性]

Material	Aluminum Housing	[鋁合金框]
	Steel Impeller	[金屬葉片]
Bearings	Maintenance-Free Ball Bearings	[滾珠軸承]
Motor Type	Three-Phase AC Induction	[三相感應馬達]
Connection	Lead wire	[導線連接]
Dielectric Strength	1800 VAC for 1 Sec.	[耐壓規格]
Insulation Resistance	100 MΩ min.@500VDC	[絕緣阻抗]
Operating Temperature	-20°C to +70°C	[操作環溫]
Type of Protection	Insulation Class F	[線圈等級]
Ingress Protection	IP54 (optional IP56 rated)	[防塵防水]

Safety Thermally Protected (Auto Restart)  
[自動回復式溫度開關安全保護]

ø254 x 89 mm ◁ High Speed ▷  
◁ Low Speed ▷  
〔高&低轉速〕

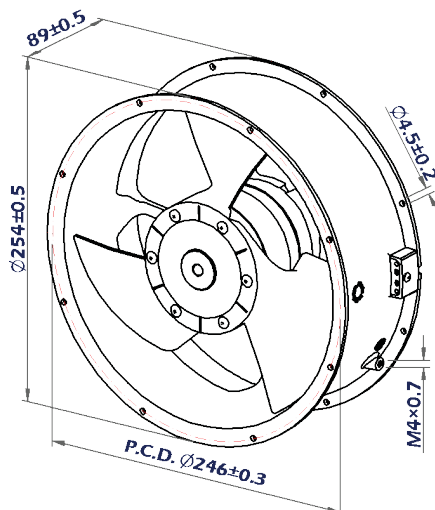
### Specifications [規格表]

Model No. [型號] (Three-Phase)	Voltage [電壓] V (V <sub>L-L</sub> )	Freq [頻率] Hz	Current [電流] A (I <sub>ph</sub> )	Power [功率] W (ΣP)	Speed [轉速] rpm	Pressure [靜壓] mmAq	Air Flow [風量] CFM	Noise [噪音] dB	Certification [安規認證] TUV UL CE
A25489-V2HBLS(3ø)	230	50/60	0.24/0.26	57/80	2750/3100	21/24	732/823	65/67	
A25489-V3HBLS(3ø)	380		0.23/0.20	68/89	2800/3250	22/25	750/874	66/68	
A25489-V3SBLS(3ø)	440		0.30/0.23	85/97	2850/3300	22/26	768/897	67/69	

L (Lead Wire 導線連接)

\*Specifications are subject to change without notice

### Dimensions (Unit : mm)



### Air Flow and Static Pressure

