

280mm

**A28080 AC 3ø**

80mm thick



**General Specifications [一般特性]**

Material	Aluminum Housing	[鋁合金框]
	Steel Impeller	[金屬葉片]
Bearings	Maintenance-Free Ball Bearings	[滾珠軸承]
Motor Type	Three-Phase AC Induction	[三相感應馬達]
Connection	Lead wire	[導線連接]
Dielectric Strength	1800 VAC for 1 Sec.	[耐壓規格]
Insulation Resistance	100 MΩ min.@500VDC	[絕緣阻抗]
Operating Temperature	-20°C to +70°C	[操作環溫]
Type of Protection	Insulation Class F	[線圈等級]
Ingress Protection	IP54 (optional IP56 rated)	[防塵防水]
Safety	Thermally Protected (Auto Restart)	[自動回復式溫度開關安全保護]



- Steel Impeller
- Weight : 3150 g
- Rohs Compliance

□ **280 x 80** mm (High Speed)  
[高轉速]

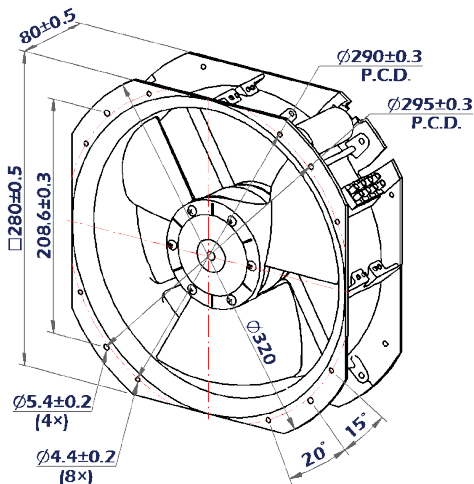
**Specifications [規格表]**

Model No. [型號] (Three-Phase)	Voltage [電壓] V (V <sub>L-L</sub> )	Freq [頻率] Hz	Current [電流] A (I <sub>ph</sub> )	Power [功率] W (ΣP)	Speed [轉速] rpm	Pressure [靜壓] mmAq	Air Flow [風量] CFM	Noise [噪音] dB	Certification [安規認證] TUV UL CE
A28080-V2HBLS(3ø)	230	50/60	0.28/0.32	77/106	2650/2900	24.5/26.3	1090/1200	70/73	
A28080-V3HBLS(3ø)	380		0.24/0.24	88/120	2750/3100	25.6/28.6	1100/1250	71/75	
A28080-V3SBLS(3ø)	440		0.30/0.26	108/132	2800/3200	25.9/29.7	1150/1300	72/76	
A28080-V4SBLS(3ø)	480		0.21/0.20	92/120	2800/3200	25.7/29.1	1150/1300	72/76	

L (Lead Wire 導線連接)

\*Specifications are subject to change without notice

**Dimensions (Unit : mm)**



**Air Flow and Static Pressure**

