

## DC Fan

# 280mm

## A28080 DC

80mm thick



- Steel Impeller
- Weight : 3050 g
- Rohs Compliance

### General Specifications

Material	Aluminum Housing, Steel Impeller
Bearings	Maintenance-Free Ball Bearings
Motor Type	DC Permanent Magnet Brushless
Connection	Terminal Block or Lead wire
Dielectric Strength	500 VAC for 1 Min.
Insulation Resistance	100 MΩ min.@500VDC
Operating Temperature	-10°C to +70°C
Type of Protection	Insulation Class B, IP54
Safety	Locked Rotor Protection and Polarity Protection
Option	RD, FG, PWM/ Voltage( 0-10 VDC), PWM/Duty(Over 1kHz from 5VDC to 48VDC)

# 280 x 280 x 80 mm

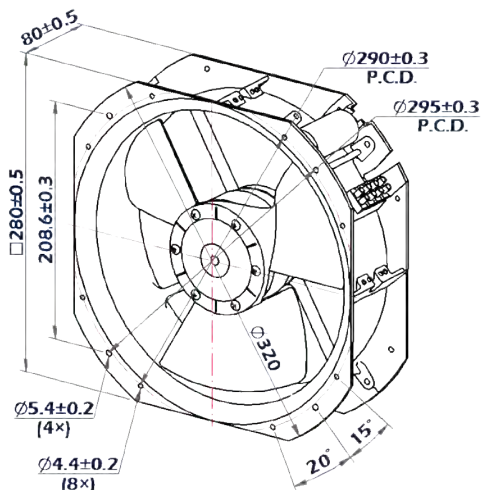
### Specifications

Model No.	Voltage VDC	Current A	Speed rpm	Pressure mmAq	Air Flow CFM	Noise dB	Curve NO.	TUV	UL	CE
A28080-Dx6ByS	24/48	3/1.2	2300	21.5	860	65				

x : 2 (24 VDC), 4 (48 VDC)

y : K(Terminal Block), L(Lead Wire)

### Dimensions (Unit : mm)



### Air Flow and Static Pressure

