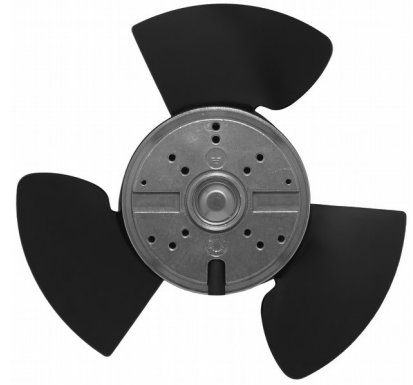


Ø196mm

# NA19672 AC

72mm thick (Frameless Type)



■ Weight : 1850 g

■ Rohs Compliance

## General Specifications [一般特性]

Material	Steel Impeller	[金屬葉片]
Bearings	Maintenance-Free Ball Bearings	[滾珠軸承]
Motor Type	AC Induction Capacitor	[電容式感應馬達]
Connection	Lead wire	[導線連接]
Dielectric Strength	1800 VAC for 1 Sec.	[耐壓規格]
Insulation Resistance	100 MΩ min.@500VDC	[絕緣阻抗]
Operating Temperature	-20°C to +70°C	[操作環溫]
Type of Protection	Insulation Class F	[線圈等級]
Ingress Protection	IP54 (optional IP56, IP67 rated)	[防塵防水]
Safety	Thermally Protected (Auto Restart)	[自動回復式溫度開關安全保護]

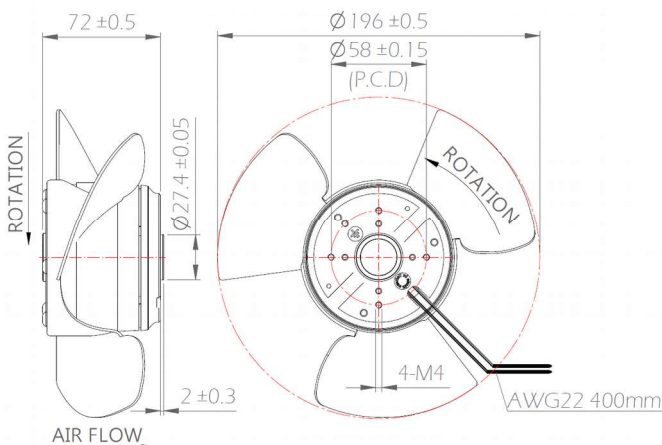
Ø196 x 72 mm ( High Speed )  
( 高轉速 )

## Specifications [規格表]

Model No. [型號]	Voltage [電壓] VAC	Freq [頻率] Hz	Current [電流] A	Power [功率] W	Speed [轉速] rpm	Pressure [靜壓] mmAq	Air Flow [風量] CFM	Noise [噪音] dB
NA19672-V1HBL S	115	50/60	0.61/0.62	53/68	2800/3200	23.5/20.5	580/670	68/71
NA19672-V2HBL S	230		0.26/0.31					

L (Lead Wire 導線連接)

## Dimensions (Unit : mm)



## Air Flow and Static Pressure

